

Series 3600 Back Pressure Regulator



The 3600 Series are compact diaphragm-sensed back pressure regulators. The use of a diaphragm sensing mechanism provides greater sensitivity than common piston sensed designs. Back pressure regulators function like a safety relief valve except that they provide greater sensitivity, ease of adjustment and close pressure differential between opening and closing.

3600 Features

- Sensitive Diaphragm Sensing
- High Purity Stainless Steel Diaphragm
- Easy Adjustment
- Compact Size
- Small Pressure Differential Between Open and Closed
- Steady Upstream Pressure Control

3600 Typical Applications

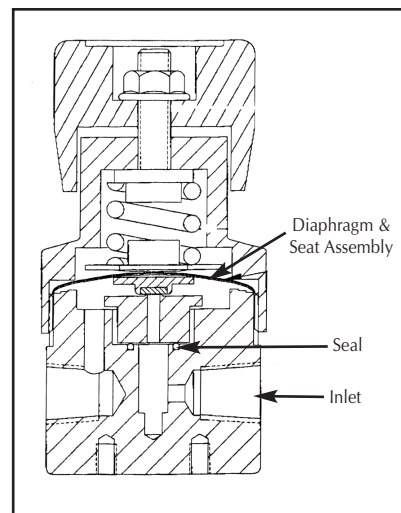
- Back pressure regulators are ideal for a wide variety of applications. In gas chromatography laboratories they are installed at the outlet of carrier gas lines to ensure that the proper pressure is maintained on the GC system. They are used industrially to maintain blanket gas pressure on liquid storage tanks as they vary in fluid level and to maintain pressure on hydraulic lines, compressors and pumps.

Materials of Construction

3610	
Body	Brass
Bonnet	Chrome Plated Aluminum
Nozzle	Stainless Steel
Seat	Teflon®
Diaphragm	Stainless Steel
Diaphragm Gasket	Teflon®
Seals	Teflon®
3620	
Body	316L Stainless Steel
Bonnet	Chrome Plated Aluminum
Nozzle	Stainless Steel
Seat	Teflon®
Diaphragm	Stainless Steel
Diaphragm Gasket	Teflon®
Seals	Teflon®

3600 Specifications

Flow Coefficient Cv 0.3 (0.46 optional)
 Inlet and Outlet Connections . . . 1/4" FNPT



How to Order:

Model Number*	Control Range PSIG	Control Range Gauge PSIG
3610-10	0-10	0-15
3610-25	0-25	0-60
3610-50	0-50	0-100
3610-100	0-100	0-200
3610-250	0-250	0-400
3610-500	0-500	0-1000
3620-10	0-10	0-15
3620-25	0-25	0-60
3620-50	0-50	0-100
3620-100	0-100	0-200
3620-250	0-250	0-400
3620-500	0-500	0-1000

*To order the optional 0.46 Cv nozzle add suffix "HF" to part number.