

MVE Eterne/HE Series

-190°C / High Efficiency Storage In Nitrogen Vapor

The Eterne series freezers have been specifically designed for vapor storage, although they may also be used in liquid storage applications, as well. The units feature a smaller, offset lid allowing for more of the top of the unit to be protected by a vacuum insulated surface. This ensures that samples are always maintained in a -190°C vapor environment. The HE series has a similar design and maintains -150°C vapor environment. The vacuum protection in both units allows them to maintain their respective temperatures in excess of 20 days without additional liquid nitrogen in the event of a supply emergency.

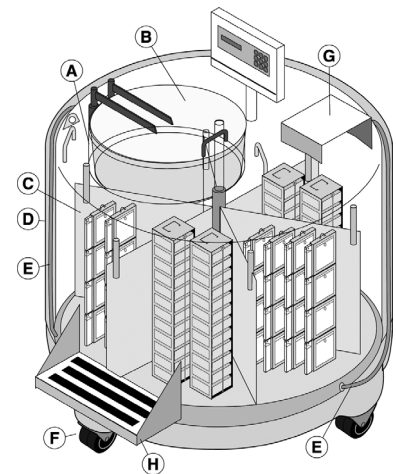


Ergonomic Double Step -
Folds Away When Not Required

How to Order:

	MVE 810 Eterne/ HE Series	MVE 1520 Eterne/ HE Series	MVE 1830 Eterne/ HE Series
Unit Dimensions			
LN2 Capacity (Liters)	370	756	1672
LN2 Capacity Under Platform (L)	52	133	296
Neck Opening (In/mm)	12.5 / 317	17.5 / 444.5	25 / 635
Useable Internal Height (In/ mm)	27.5 / 698	28.6 / 726.4	28.6 / 726.4
Inner Diameter (In/mm)	28.7 / 729	38.5 / 997.9	56 / 1422.4
Overall Height (In/mm)	47.3 / 1202	53.2 / 1351	63.3 / 1608
Outer Diameter (In/mm)	32 / 812.8	42 / 1066.8	60 / 1524
Weight Empty (Lbs/Kg)	475 / 216	750 / 341	1500 / 681
Unit Capacities - Vials			
1.2 & 2 ml Vials (Internally Threaded)			
Number of Racks (100 vials)	12	24	54
Number of Mini Racks (25 vials)	4	8	30
Number of Stages per Rack	12	13	13
Total Vial Capacity	15,600	33,800	79,950
Unit Capacities - Blood Bags			
4R9951 (6 bags/frame)	666	1,344	2,880
4R9953 (4 bags/frame)	380	760	1,560
4R9955 (4 bags/frame)	272	720	1,104
Part Number			
Fully Automatic Eterne	11369911	11360212	11915951
Fully Automatic HE	11633452	10784056	11916372
Fully Automatic Eterne with Options*	11369946	11360247	11915960
Fully Automatic HE with Options*	11633487	10811755	11916381

*Options include Battery Backup and Warm Gas Bypass.



- A** Offset neck design to maintain -190°C in vapor storage and provide low liquid nitrogen consumption with standard racks
- B** Durable aluminum lid designed for longer life
- C** Rotating interior tray provides easy access to cryobiological samples
- D** Low maintenance, all stainless steel construction
- E** Annular filling lines reduces frost and ice formation near lid
- F** Super-tough, durable casters
- G** Rack stand
- H** Step-up platform (MVE 1520 ETERNE/HE, 1830 ETERNE/HE)